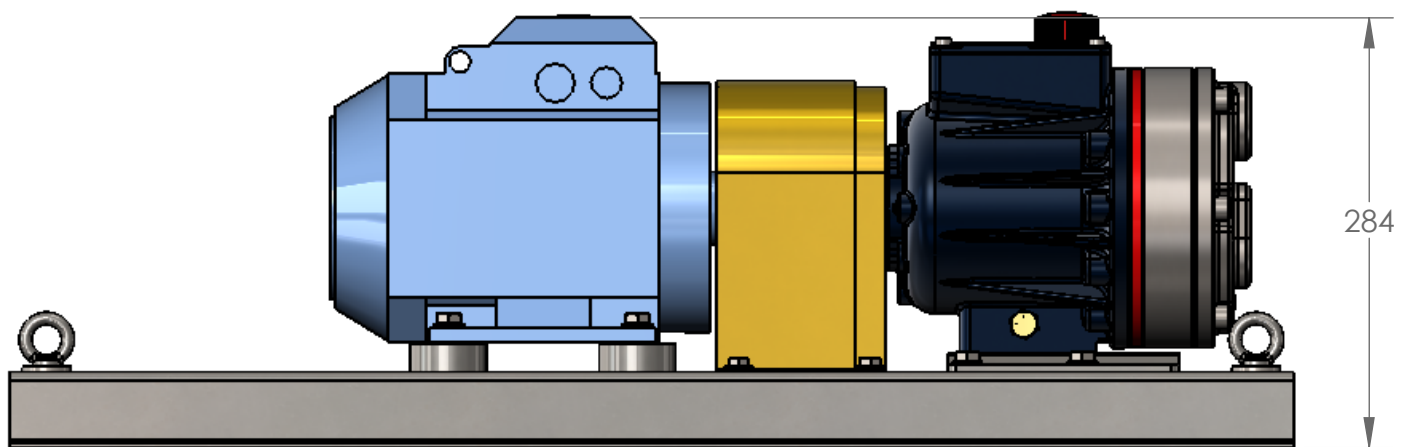


4 x $\phi 20$



G10 - IEC 90 - LC

66 Kg