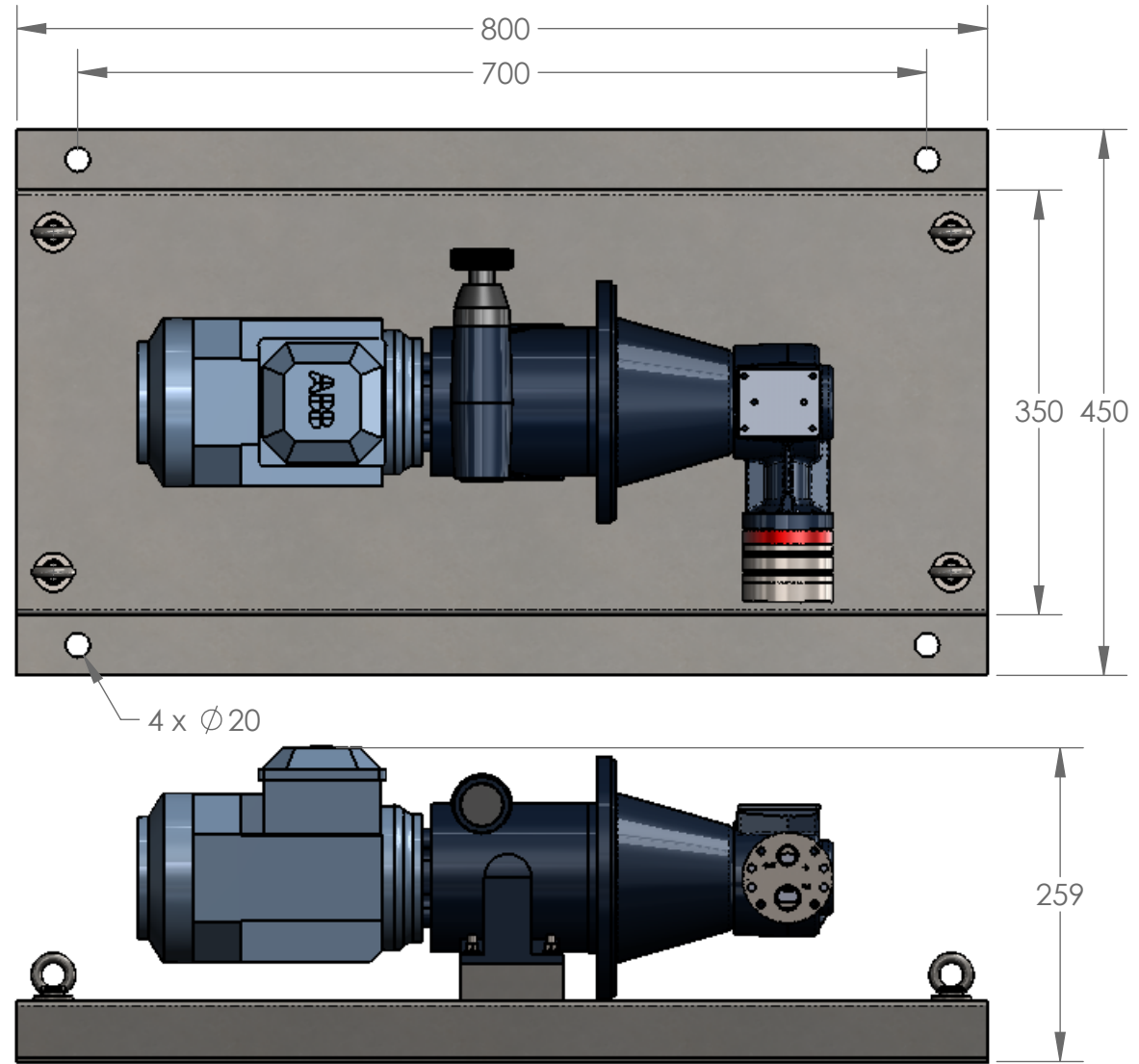


G22-M2L



Unit Weight = 38 Kg