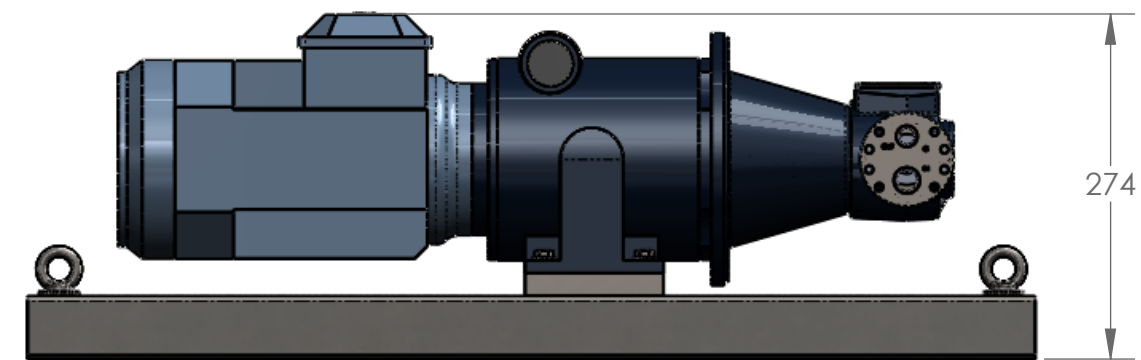
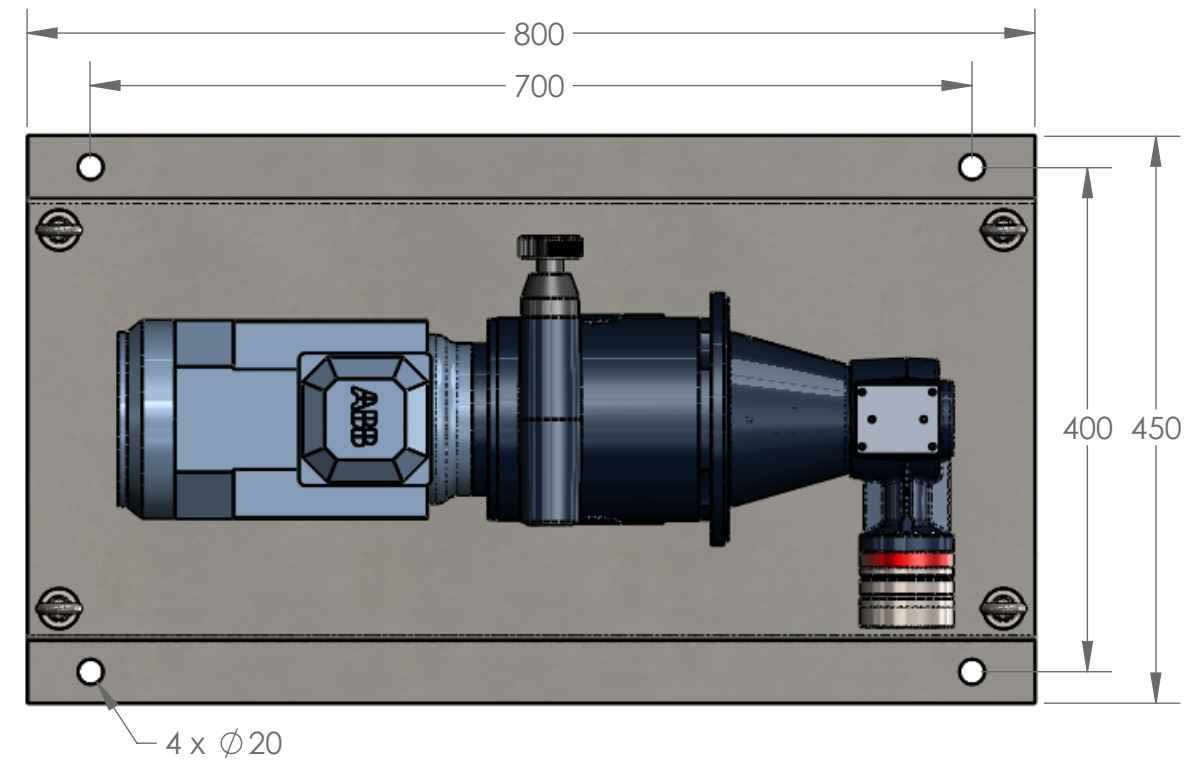


**G22-M4H**



**Unit Weight = 68 Kg**