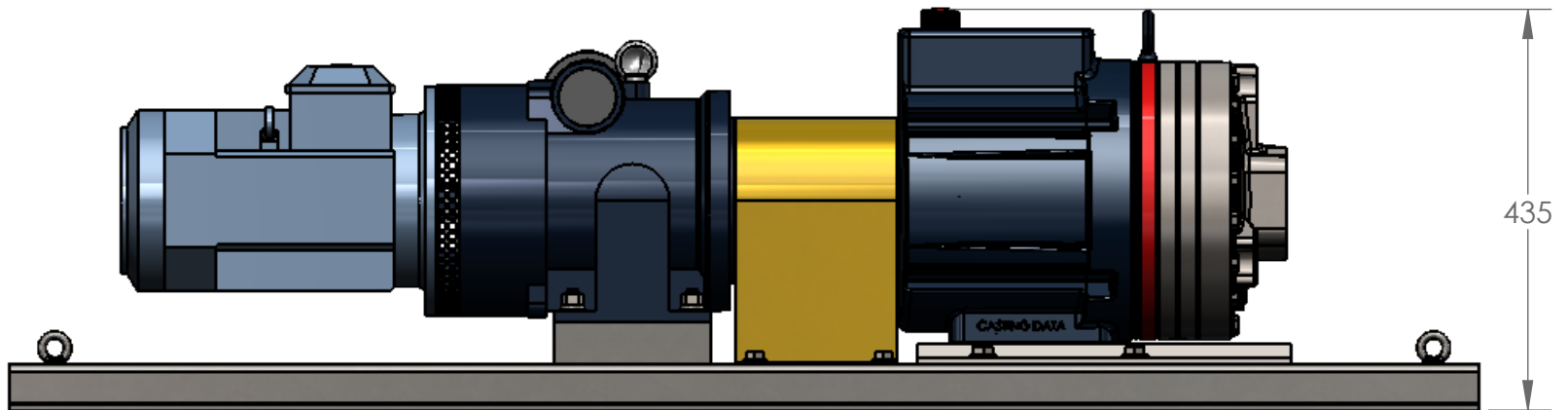
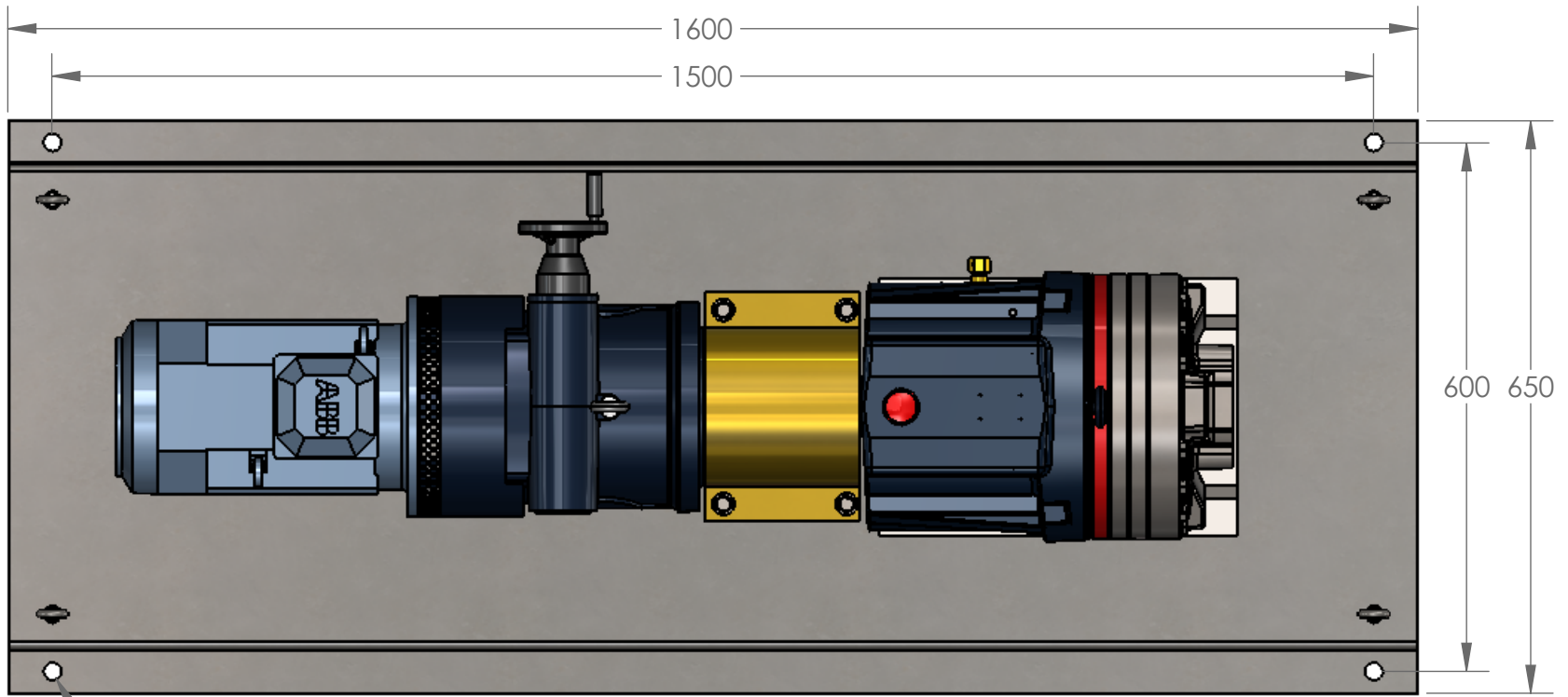


G35-M2L



Unit Weight Approx. 268 Kg